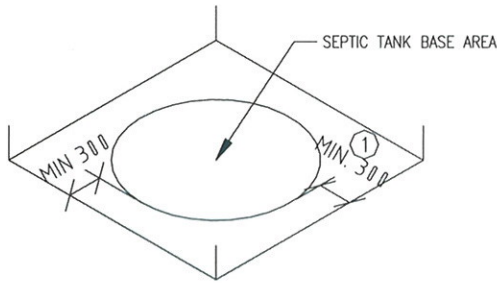


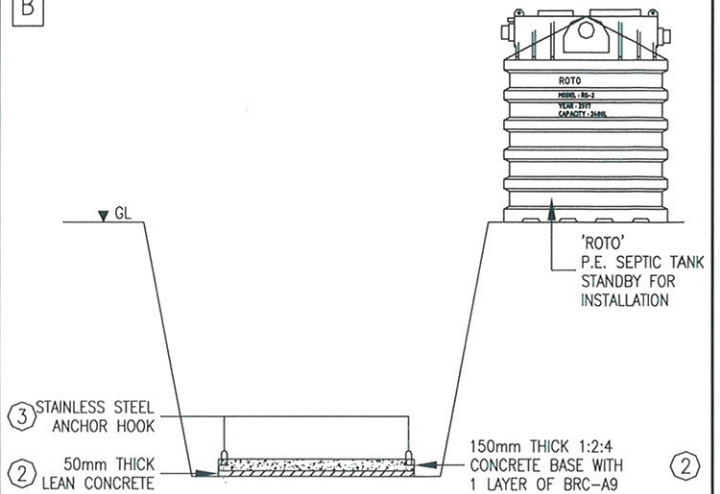
INSTALLATION MANUAL FOR 'ROTO' P.E. SEPTIC TANK

A



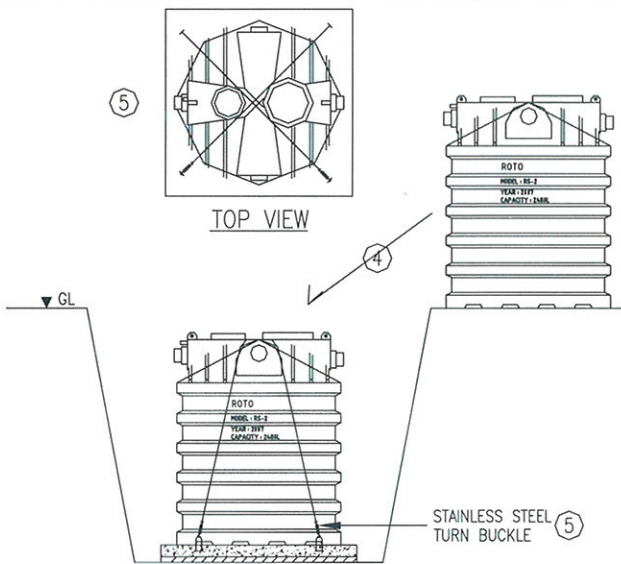
1. Allow for a working space of 300mm to 600mm all around the 'ROTO' P.E. Septic Tank when excavating the pit.

B



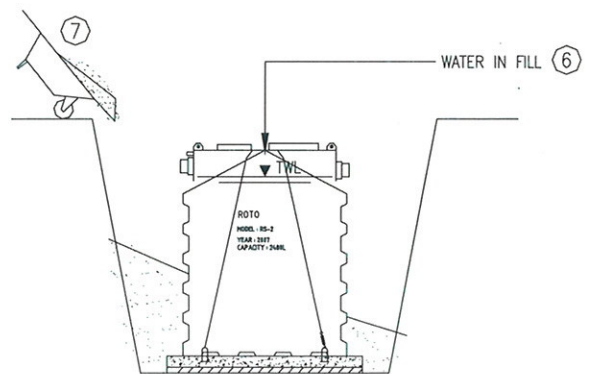
2. Construct a 150mm thick base of 1:2:4 concrete reinforced with one(1) layer of BRC-A9 wire mesh on top of a 50mm thick lean concrete.
3. Four(4) nos of stainless steel anchor hook casted in concrete base.

C



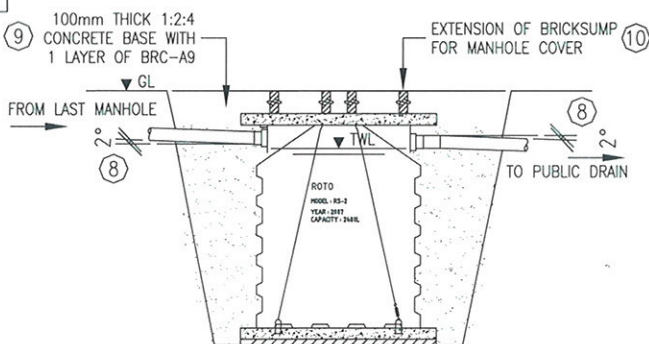
4. Unload the Septic Tank on a well leveled and cured 150mm thick base of 1:2:4 concrete reinforced with one(1) layer of BRC-A9 wire mesh.
5. Tie the $\phi 6$ mm stainless steel anchor strap over P.E. Septic Tank and tighten using stainless steel turnbuckle.

D



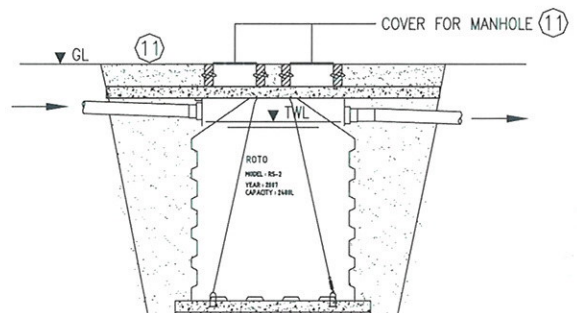
6. Fill 'ROTO' P.E. Septic Tank with water up to top water level.
7. Backfill the space around the septic tank with sand compacted in 150mm layers, up to the opening lid/rim.
8. Make sure the backfills at the inlet and outlet are well compacted and allow for a drop gradient of two(2) degrees for both the inlet and outlet pipes.

E



8. Make sure the backfills at the inlet and outlet are well compacted and allow for a drop gradient of two(2) degrees for both the inlet and outlet pipes.
9. Lay over the septic tank a 150mm thick slab, with manhole openings, of 1:2:4 concrete reinforced with one layer of BRC-A9 wire mesh.
10. Construct the manhole neck connections with bricks sump up to the specified design platform level.

F



11. Backfill with sand up to the designed platform level and install the manhole cover.